


SELF-OPENING STAY GS-HDS-20S For Use in Pairs



Opening Direction	Description	Non-handed	Model	Maximum door moment
 Top-opening	With Self-opening For Use in Pairs	-	H	6.9~10.8 N·m/2 pcs (70~110 kgf·cm/2 pcs)
			S	10.9~14.7 N·m/2 pcs (111~150 kgf·cm/2 pcs)

- Ideal for top-opening lids.
- Opens automatically after a small impulse.
- Holds the door at closed position.
- For door hinge, piano/butt hinge or concealed hinge is suitable.

[Specifications]

- Operating temperature: 0°C ~40°C

[Remarks]

- Be sure to read the "Cautions"
- Handed: Specific left and right-handed.
- Used in pairs.
- Do not push the door up over the max. opening angle. And do not roughly open and close the door.

[Parts Included]

- Mounting plate
- Binding head tapping screw 3.5x 15

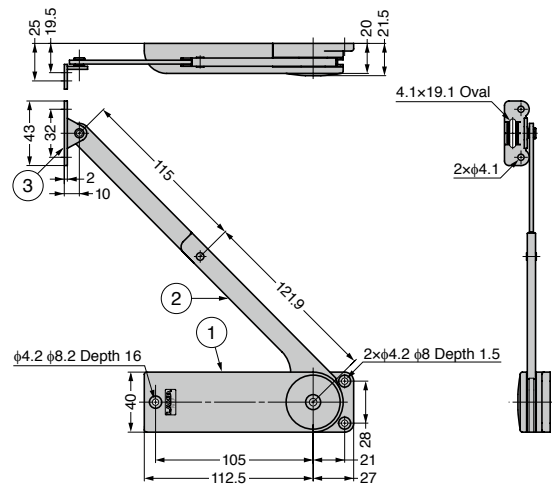
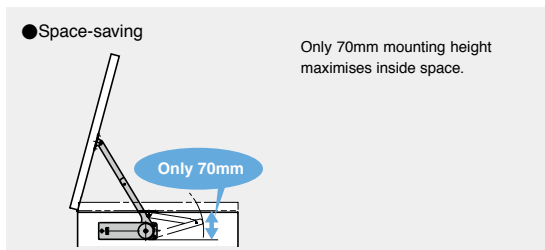
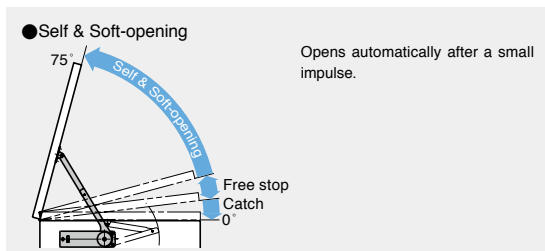
Video Link



[Applicable Range]

- Choose from 2 types according to door moment.
 Maximum door moment (N·m) = Door weight (kg) × 9.80665 × Distance from rotation centre to door centre of gravity (m)

Maximum door moment N·m	Model	Qty
6.9~10.8	H	2pcs
10.9~14.7	S	2pcs

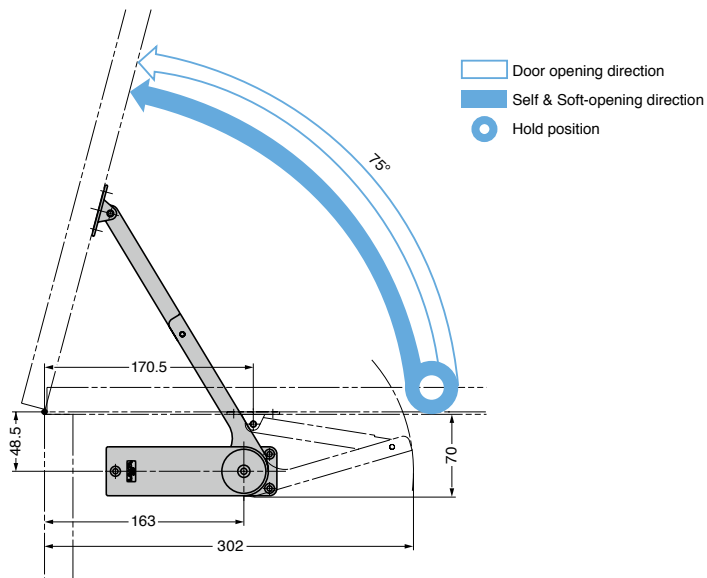


Right-handed type shown.

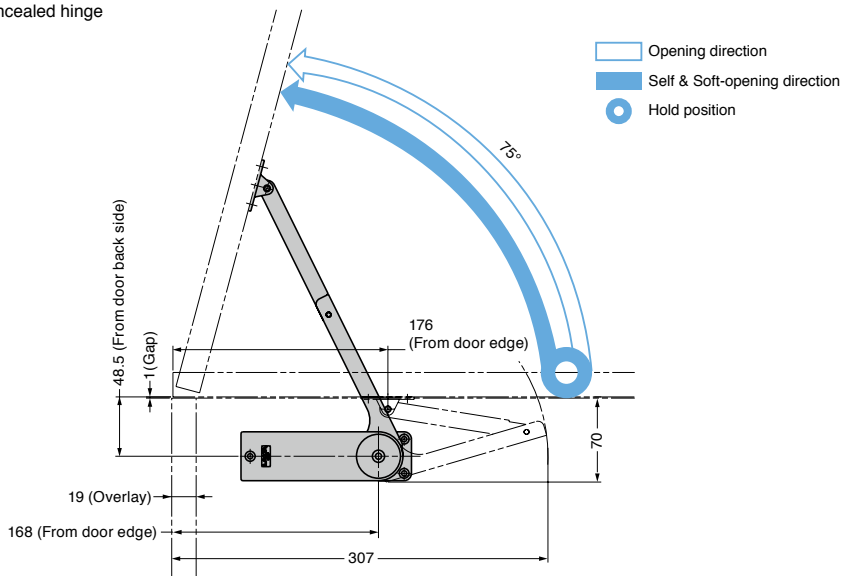
No.	Part Name	Material	Finish/Colour
①	Body	ABS	Black, White
②	Arm	Steel (SPCC)	Nickel
③	Mounting Plate		

[Installation] Top-opening 75° and right side installation. Left side installation is symmetrical.

With piano/butt hinge



With concealed hinge



Item Name	Type	Material	Finish/Colour	Model	Maximum Door Moment N · m/2 pcs	Maximum Door Moment kgf · cm/2 pcs	Weight (g)
GS-HDS-20S-HL-BL	Left-handed	Steel / ABS	Nickel plating / Black	H	6.9~10.8	70~110	298
GS-HDS-20S-HR-BL	Right-handed		Black				29
GS-HDS-20S-HL-WT	Left-handed		Nickel plating / White				298
GS-HDS-20S-HR-WT	Right-handed		White				298
GS-HDS-20S-SL-BL	Left-handed		Nickel plating / Black	S	10.9~14.7	111~150	311
GS-HDS-20S-SR-BL	Right-handed		Black				311
GS-HDS-20S-SL-WT	Left-handed		Nickel plating / White				311
GS-HDS-20S-SR-WT	Right-handed		White				311